

SUITABLE FOR MODEL



IMAGE MAY VARY FROM ACTUAL PRODUCT

SAFETY INSTRUCTION

READ CAREFULLY BEFORE INSTALLING FIXTURE. PLEASE KEEP THIS MANUAL FOR FUTURE USE.

Fixtures must be wired in accordance with the National Electrical Code and all applicable local codes. Proper grounding is required for safety.

THIS PRODUCT MUST BE INSTALLED IN ACCORDANCE WITH THE APPLICATION CODE BY A PERSON FAMILIAR WITH THE CONSTRUCTION AND OPERATION OF THE PRODUCT AND THE HAZARDS INVOLVED.

MAKE CERTAIN POWER IS OFF BEFORE INSTALLING OR MAINTAINING FIXTURE.

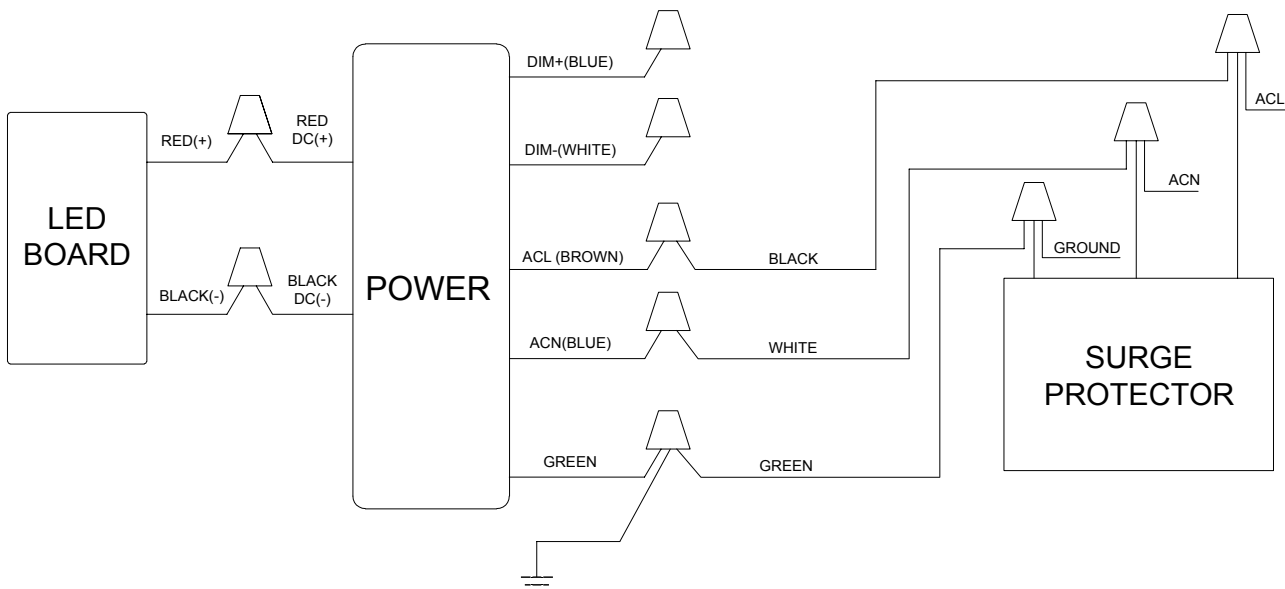
CHECK THAT VOLTAGE IS COMPATIBLE WITH FIXTURE DRIVER, USE APPROVED CONNECTORS FOR ALL ELECTRICAL CONNECTIONS.

Maintenance Caution

1. Review the diagrams before beginning, and make sure fixture is grounded properly.
2. For lighting controls, using functioning correctly.
3. Turn power off and wait for fixture cooling to operate.
4. Maintenance must be done by professionals.

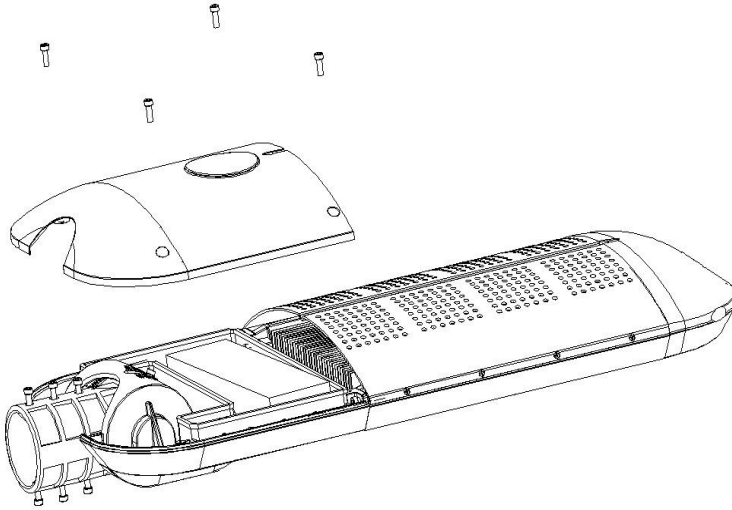
WIRE CONNECTION

80W/120W/160W 120-277V

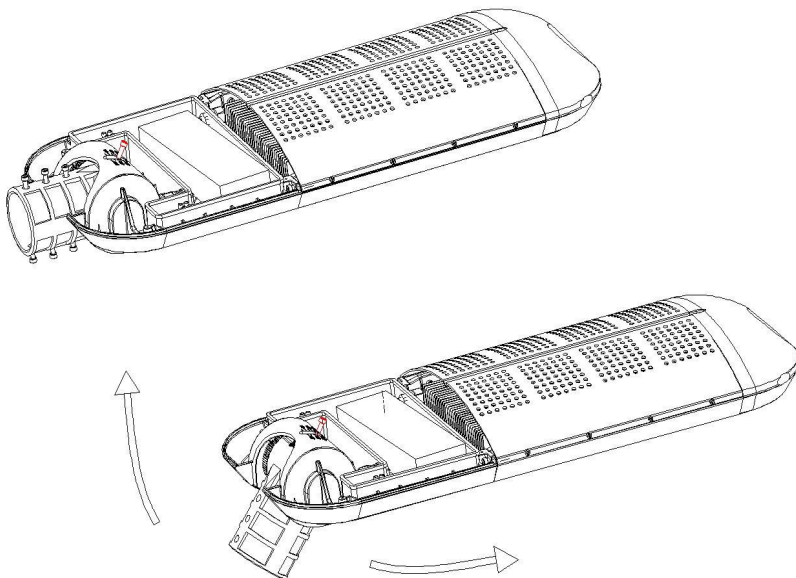


INSTALLATION

1. Open the outer packing, remove the packing materials on the lamp body, take out the lamp
2. Using allen driver to loose the screws (M5 Inward hexagonal) on the back side of the driver box of the street light, take off the back cover of driver box

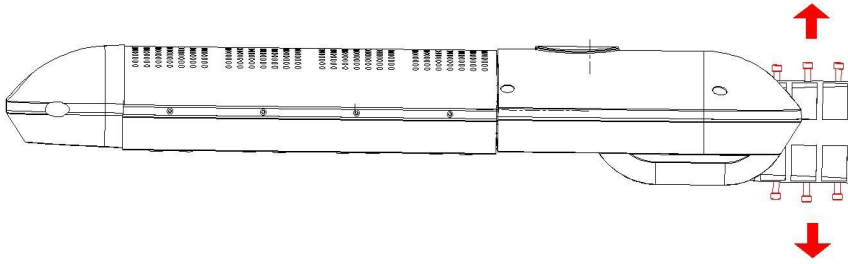


3. Using Allen driver to loose the screws of the fastening swivel, adjust the connector swivel to the degree you required.

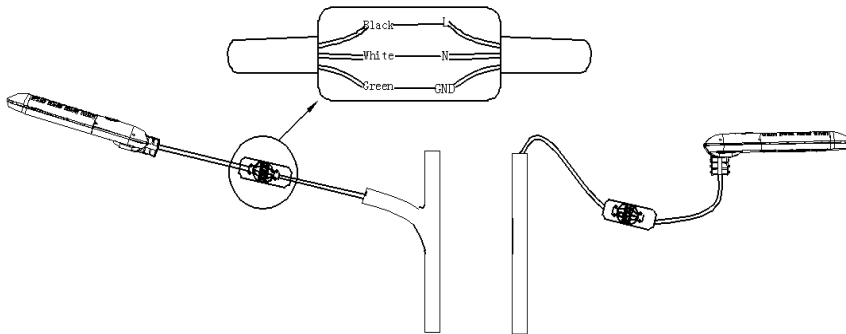


4. Re-fastening the swivel and the back cover of driver box.

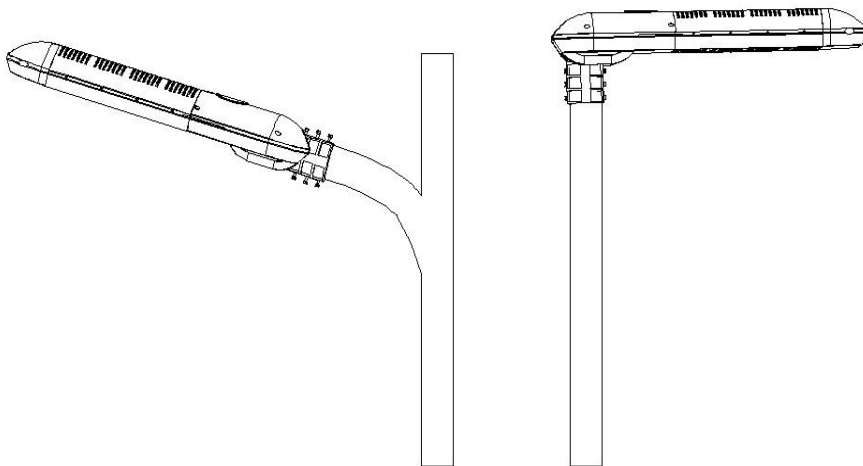
5. Turn the street light to the back side, loose the 6 screws on the swivel



6. Connect the L, N, GND cables on the lamp to the corresponding L, N, GND cables on the lamp pole. Splice the branch circuit power leads to the fixture power leads, black to black (hot), white to white (neutral), and green to green (ground).



7. Install the street light to the lamp pole, adjust the LED street light to be of horizontal level. Fasten the 6 screws on the swivel.



WARRANTY

LIMITED SEVEN-YEAR WARRANTY. Should this product fail to perform satisfactorily due to a defect or poor workmanship within five years from the date of purchase, return it to the place of purchase and it will be replaced, free of charge. Incidental or consequential damages are excluded from the warranty.